

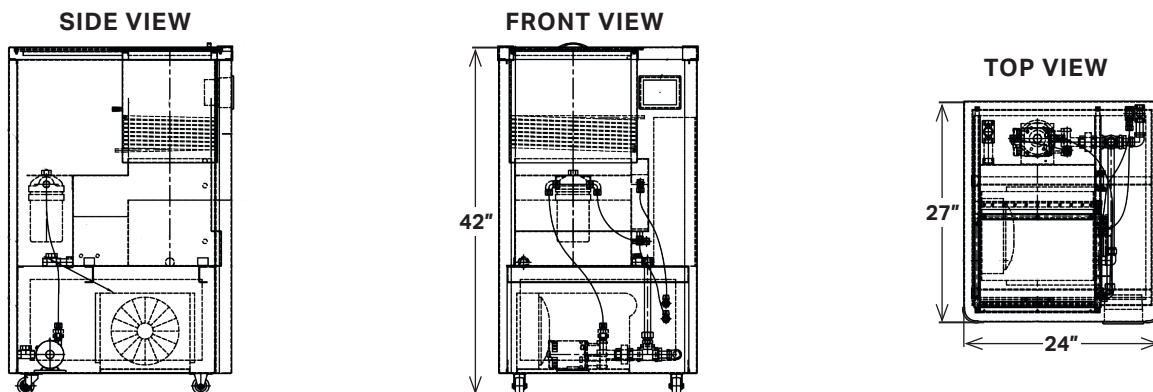
DEBINDER SPECIFICATIONS

# Wash-1

The first step in transforming a printed “green” part into fully dense metal is debinding. The Wash-1 immerses the green part in a specialized fluid which removes the primary binding material, leaving the part semi-porous so the remaining binder can easily burn off during sintering. This debinding step purifies the final metal part and helps keep your sintering furnace clean.

<b>Debinder Properties</b>	<b>Materials Supported</b>	All Metals
	<b>Fluid</b>	Opteon Sion
	<b>Controller</b>	Integrated Control System
	<b>Workholding</b>	Stainless Steel Basket
	<b>Washing Size</b>	356 x 254 x 203 mm (14 x 10 x 8 in)
	<b>Washing Volume</b>	18,356 cubic cm (1120 cubic in)
	<b>Safety &amp; Installation</b>	<b>Environmental Req.</b>
<b>Safety Control</b>		Low Fluid Shutoff Control High Vapor Pressure Shutoff Control
<b>Regulatory</b>		Refer to MSDS
<b>Emissions</b>		Low Emission Design to Conserve Solvent
<b>Power</b>		120/240 VAC Single Phase, 15A/1650W Peak Draw
<b>Physical Dimensions</b>		<b>External Dimensions</b>
	<b>Weight</b>	136 kg (300 lbs)

**Bundle Cost** **\$124,990 SRP**



All specifications approximate and subject to change without notice.